

# IS POWER radar and/or I-NODE power supply



**The IS-POWER has been specifically designed to supply power to up to three intrinsically safe lines of equipment on the deck. These equipment include the TA840 radar and the I-NODE sensor box.**

The IS-POWER also provides three RS-485 isolators to meet the intrinsic safety requirements.

Powered by a 85 – 264 Vac input, its output is extremely stable, thus insuring the best performance and longevity of the equipment it is connected to.

## ↳ Technical data

**Intrinsic safety:** II (1) G [Ex ia] IIB or IIC

**Input:** 85 – 264 Vac / 50-60 Hz

**Output:** IIC: 11,0 Vdc IIB: 12,2 Vdc

**Output Channels:** 3

**Consumption:** 30 W max

**Operating temperature:** 5°C to 70°C

**RS485 protection:** 3 channels

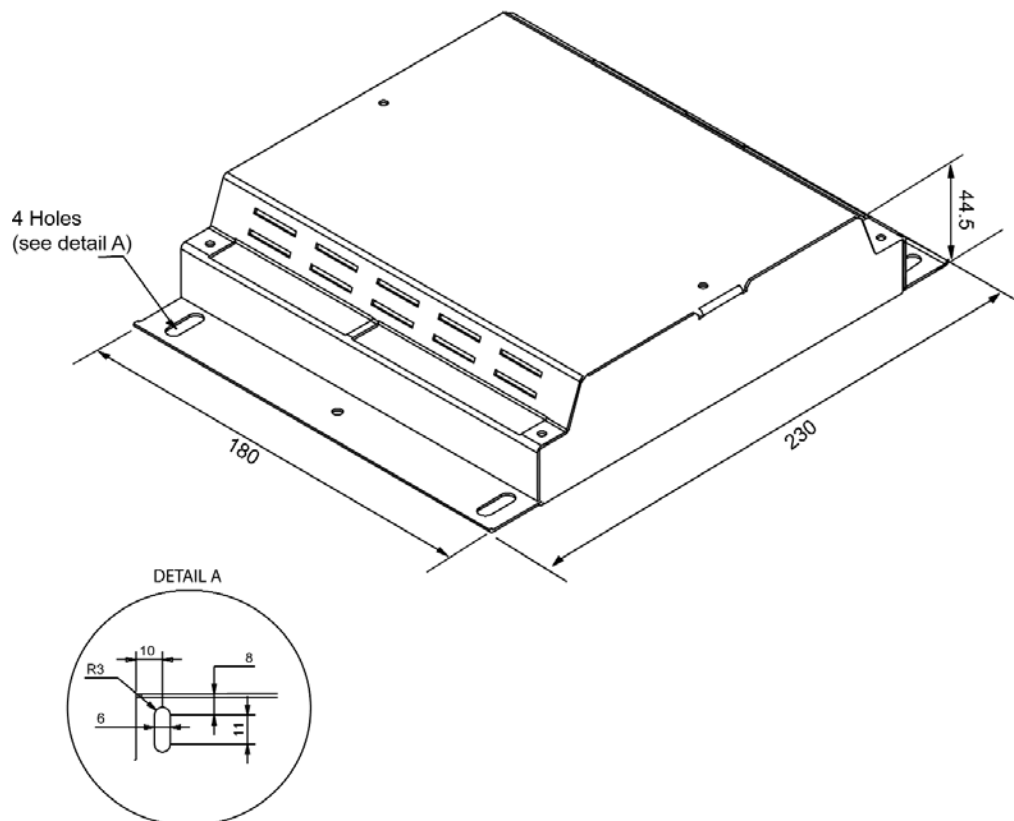
**Terminal wiring size:** 2,5 mm<sup>2</sup>

Inhibition input available

**Size:** 180 x 230 x 44,5 mm

**Weight:** 1,110 Kg

## ↳ Dimensional drawings



### 2 FRANCE MARINE S.A.S.

61, route de la Chapelle de Rousse

64290 GAN

Tel.: +33 1 82 28 50 20

Fax: +33 1 82 28 50 21

E-mail: [sales@2francemarine.com](mailto:sales@2francemarine.com)

[www.2francemarine.com](http://www.2francemarine.com)

