

I-NODE

Temperature and Pressure Transmitters



The I-NODE box is an on-deck concentrator which may be fitted with up to three temperatures sensors and up to four ceramic pressure transmitters.

Specifically designed for liquid cargo management systems, its design focuses on high reliability, easy maintenance and utmost accuracy. It may be connected on the same lines as the TA840 radars, thus saving wiring.

The I-NODE box is made of Stainless Steel. It can be fitted with an internal I.G. pressure transmitter, on an ISO DN40 flange. A special casing is dedicated to the Framo pump heads for temperatures sensors.

Technical data

PRESSURE

Material: Stainless Steel 316L

Mounting: - Inside the box (I.G.),
- on an ISO PN16 DN40 flange,
- immersed (Hydrostatic level)

Intrinsically Safe: Ex ia IIC

HOUSING

Material: Stainless Steel 316L

Protection class: IP66/67

Operating temperature: -40°C to +85°C

Cable glands: up to 4

Mounting: - ISO PN16 DN40 flange,
- as a junction box

Intrinsically Safe: Ex ia IIC

TEMPERATURE

Type: PT100 3 wires sensors

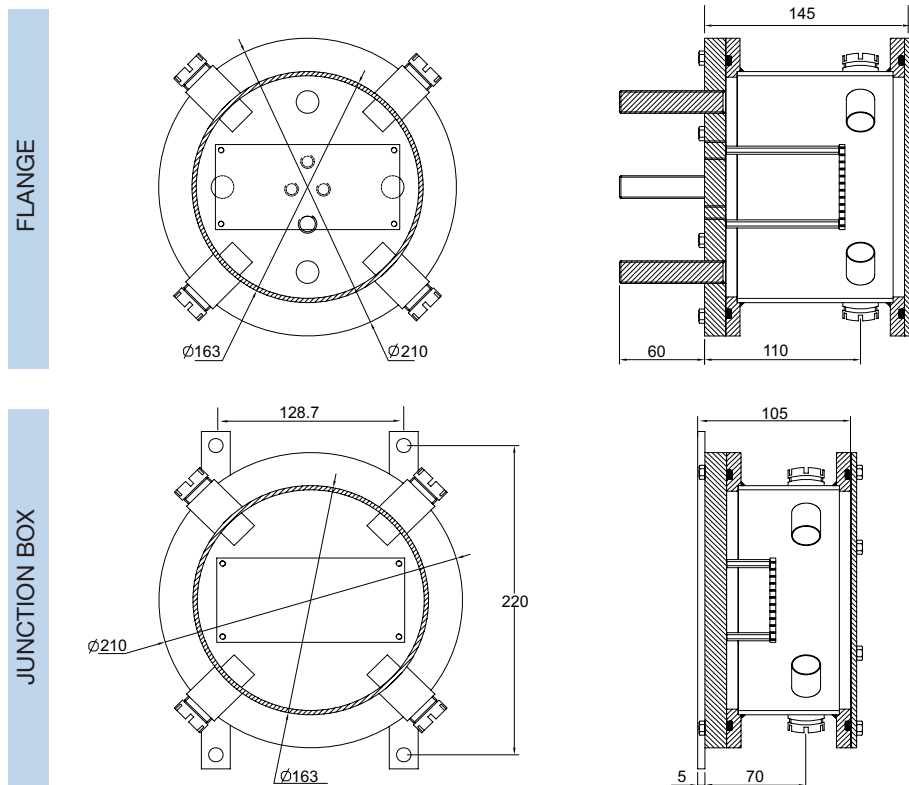
Material: Stainless Steel 316L

Range: -46°C to +250°C

Intrinsically Safe: Ex ia IIC

Application	Code	Range	Overpressure	Operating temperature	Accuracy
I.G. internal	IGI	1,6 bar	3 bar	-25°C to +100°C	± 0,3% FS at 20°C
I.G. external	IGE	1,6 bar	3 bar	-25°C to +100°C	± 0,3% FS at 20°C
Manifold	MAN	25 bar	50 bar	-25°C to +100°C	± 0,3% FS at 20°C
Hydrostatic	HYD	4/6 bar	8/12 bar	-25°C to +100°C	± 0,3% FS at 20°C
Atmospheric	ATM	1,6 bar	3 bar	-25°C to +100°C	± 0,3% FS at 20°C

Dimensional drawings



2 FRANCE MARINE S.A.S.

61, route de la Chapelle de Rousse

64290 GAN

Tel.: +33 1 82 28 50 20

Fax: +33 1 82 28 50 21

E-mail: sales@2francemarine.com

www.2francemarine.com

